

AABURCO, INC.



Doyon mixers are simply your best buy for small to high volume. Doyon's unique 20 speed transmission enables the operator to change speeds without having to stop the mixer and mixes product at a precise setting for maximum efficiency. With up to 4 HP motors, Doyon mixers are not only the strongest of the industry; they are the most attractively priced mixers of their category.

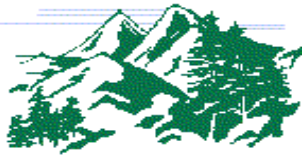


BTF planetary mixers Featuring

- Simple to use 20 speed digital control
- 20 Continuous speeds for higher efficiency
- no need to stop mixer to change speed
- Unique stainless steel bowl that eliminates feeder post
- Emergency stop
- Most powerful heavy duty motors of the industry
- Includes dough hook, whip and flat beater
- Bowl guard and Safety Interlock
- Superior torque transmission reduces vibration & noise
- Composite gear belt provides durability for tough mixes and allows speed change while mixer is running
- Cast Iron frame with lead-free enamel coating
- Stationary casters; easy to move for cleaning
- Quick locking anti-vibration device to secure mixer
- Bowl lifting lever
- Motor overload protection
- Virtually maintenance free, extremely durable
- Exceptionally quiet
- Bowl locks on both sides
- One year parts and labor warranty
-

Options

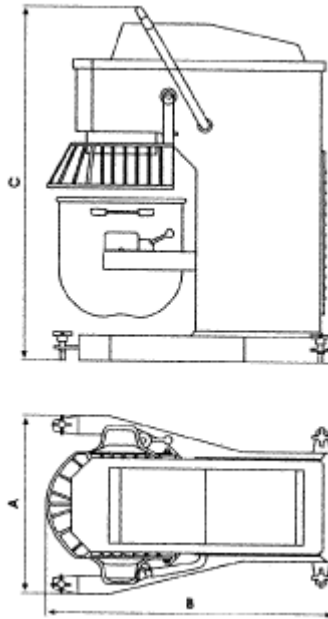
- 20 qt bowl and alternative material for 40 qt mixer
- 40 qt bowl and alternative material for 60 qt mixer



AABURCO, INC.



BTF planetary mixers Specifications & Pricing



MODEL	Bowl capacity (qts)	CRATED WEIGHT (lbs-kg)	Width	Depth	Height	Flour capacity (lbs - Kg)		MOTOR (H.P.)	VOLTS	AMPS	PHASES	Freight Class	Price*
						Flour	Dough						
BTF010	10	250-114	15"	21 3/4"	32 3/4"	5-2.2	8-3.5	1/2	120	4	1	85	\$3075
BTF020	20	330-150	16"	26 1/2"	36"	10-4.5	15-7	1	120	8	1	85	\$3895
BTF040	40	550-250	23 1/2"	37 1/2"	52 1/2"	28-13	40-18	3	208-240	12	1	85	\$5195
BTF060	60	650-300	23 1/2"	37 1/2"	55 3/4"	45-20	65-30	4	208-240	16	1	85	\$7095

*Prices subject to change without notice

Call us to discuss the extensive line of *all* Doyon Products and Accessories

13421 Grass Valley Avenue ♦ Grass Valley, Ca 95945
 P: 530-273-9353 ♦ USA Only 800-533-7437 ♦ F: 530-273-9312
 Email: support@piemaster.com ♦ website: www.Piemaster.com